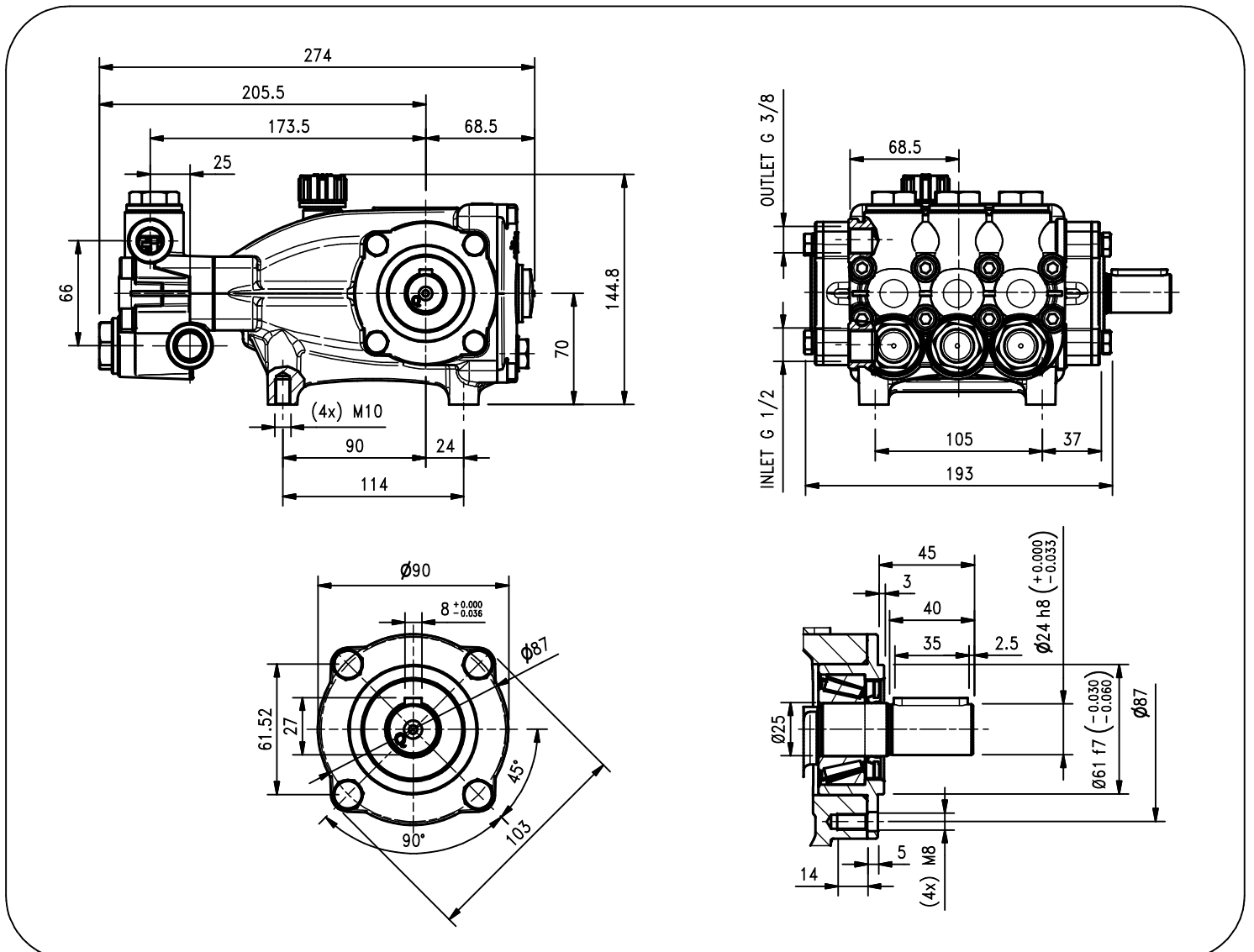
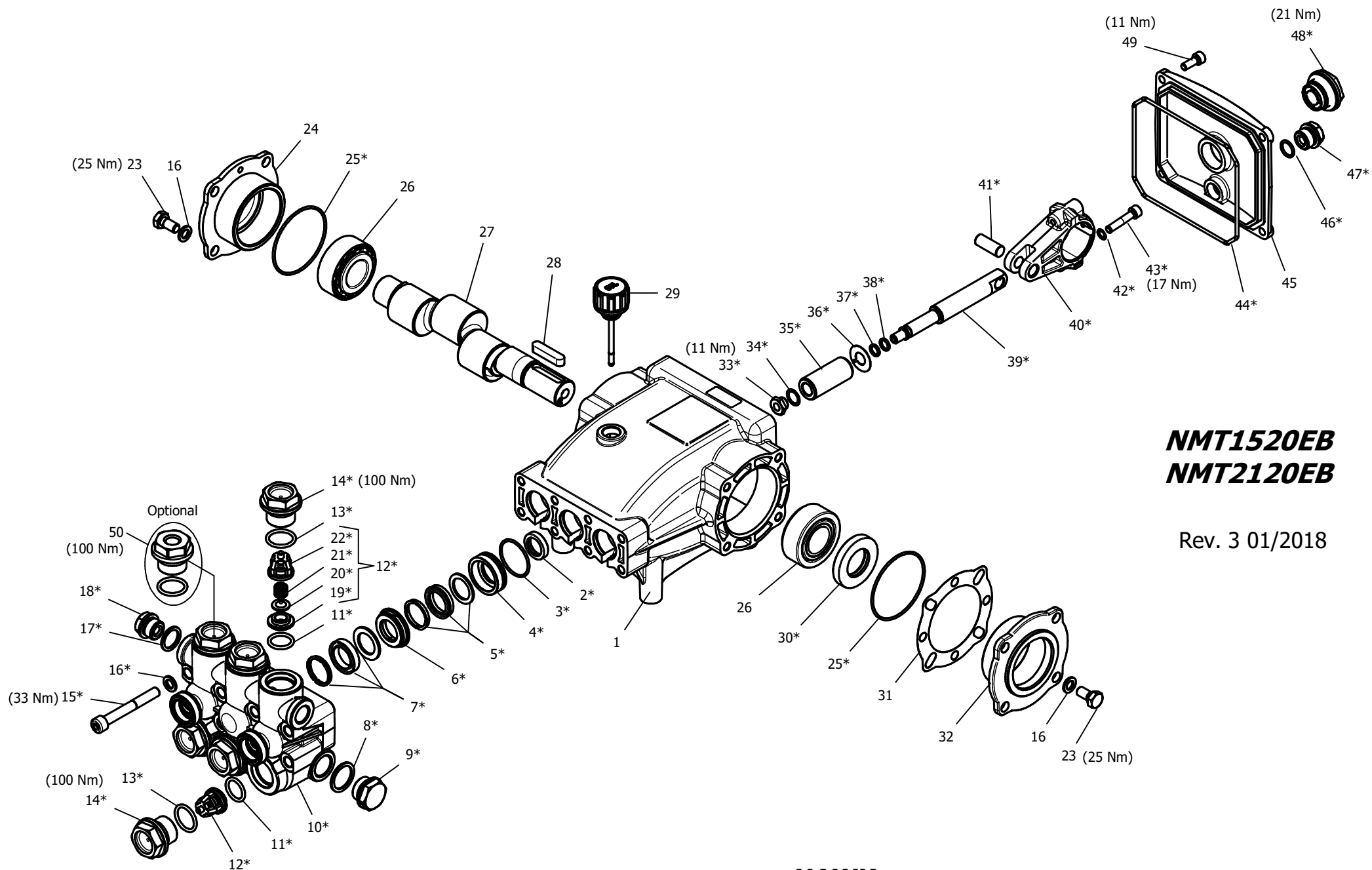


Pump Pompa	Pressure Pressione		Volume Portata				RPM giri/min		Power Potenza			
			l/min		GPM				HP		kW	
	bar	PSI	50 Hz	60 Hz	50 Hz	60 Hz	50 Hz	60 Hz	50 Hz	60 Hz	50 Hz	60 Hz
NMT1520EB	200	3000	15.0	18.0	4.0	4.7	1450	1740	7.7	9.2	5.7	6.8
NMT2120EB	200	3000	21.0	25.0	5.5	6.6	1450	1740	10.7	12.8	7.9	9.4

Dimensioni d'ingombro

Overall dimensions





NMT1520EB
NMT2120EB

Rev. 3 01/2018

HAWK
Pompe NMT ECOBRASS serie 2011
NMT ECOBRASS pumps 2011 series

NMT ECOBRASS 2017 SERIES

ORDINARY MAINTENANCE KIT / KIT MANUTENZIONE ORDINARIA

KIT	Item Pos.	Part Number Codice	Description	Descrizione	Q.TY by Pump Q.TA per Pompa	NMT1520EB	NMT2120EB
A	3- 5- 7	1.099-849.0	PLUNGER SEALS DIA. 20 mm	GUARNIZIONI PISTONE Ø20	1		
B	11- 12- 13 (19- 20- 21 22)	1.905-543.0	COMPLETE VALVE	VALVOLA COMPLETA	1	•	•

EXTRAORDINARY MAINTENANCE KIT / KIT MANUTENZIONE STRAORDINARIA

KIT	Item Pos.	Part Number Codice	Description	Descrizione	Q.TY by Pump Q.TA per Pompa	NMT1520EB	NMT2120EB
C	3- 4- 5- 6- 7	1.905-584.0	COMPLETE SEALS PACKING DIA. 20 mm	PACCO COMPLETO GUARNIZIONI PISTONE Ø20	1		
D	33- 34- 35 37- 36- 38	1.099-749.0	PLUNGER DIA. 20 mm	PISTONE Ø20	3		
E	2	1.099-751.0	PLUNGER OIL SEALS	ANELLI TENUTA OLIO ASTA	1		
F	25- 30- 44 46- 47- 48	1.905-542.0	KIT CRANKCASE SEALS	KIT TENUTE CARTER	1		
G	3- 4- 5- 6- 7 8- 9- 10- 11 12- 13- 14 15- 16- 17 18 (19- 20 21- 22)	1.904-449.0	COMPLETE MANIFOLD	TESTATA COMPLETA	1	•	•
H	33- 34- 37 38- 39- 40 41- 42- 43	1.905-544.0	CONNECTING ROD PLUNGER ROD ASSY	PREMONTATO ASTA-BIELLA PISTONE	3		
I	13- 14	1.904-423.0	VALVE PLUG ASSY	PREMONTATO TAPPO VAM	6		

“Q.TY by Pump” => Necessary quantity to repair one pump
 “Q.TA’ per Pompa” => Quantità necessaria per riparare una pompa

OPTIONAL

Item Pos.	Part Number Codice	Description	Descrizione	Q.TY by Pump Q.TA per Pompa	NMT1520EB	NMT2120EB
50	9.853-426.0	THREADED BRASS PLUG G1/4	PREMONTATO TAPPO FORATO	1	•	•

TOOL KIT

Part Number Codice	Description	Descrizione	Q.TY by Pump Q.TA per Pompa	NMT1520EB	NMT2120EB
1.099-667.0	TOOL-KIT	TOOL-KIT	1	•	•
1.904-414.0	OIL SEAL EXTRACTOR TOOL-KIT	TOOL-KIT ESTRAZIONE PARAOLIO	1		

IMPORTANT

IMPORTANTE

* **Part available ONLY in kit**
Disponibile SOLO in kit

(...) **Parts pre-assembled**
Parti pre-assemblate

PARTS LIST LISTA PARTI

Item Pos	Part Number Codice	Description	Descrizione	KIT	Q.TY Q.TA	NMT1520EB	NMT2120EB
1	9.850-375.0	CRANKCASE	CARTER		1		
2*		PLUNGER OIL SEAL	ANELLO RADIALE	E	3		
3*		"O" RING Ø1.78X31.47	"O" RING Ø1.78X31.47	A-C-G	3		
4*		ECOBASS PRESSURE RING 20MM	PRESSORE "U" Ø20 ECOBRASS	C-G	3		
5*		LOW PRESSURE "U" SEAL, DIA.20MM	ANELLO TENUTA "U" Ø20	A-C-G	3		
6*		ECOBASS INTERMED. RING 20MM	DIFFUSORE INTER. Ø20 ECOBRASS	C-G	3		
7*		HIGH PRESSURE "U" SEAL, DIA.20MM	ANELLO TENUTA "U" Ø20	A-C-G	3		
8*		COPPER WASHER G1/2	GUARNIZIONE RAME	G	1		
9*		ECOBASS PLUG G1/2	TAPPO G1/2 ECOBRASS	G	1		
10*		ECOBASS MANIFOLD HOUSING	TESTATA ECOBRASS	G	1		
11*		"O" RING Ø2.62X17.13	"O" RING Ø2.62X17.13	B-G	6		
12*		VALVE ASSEMBLY	VALVOLA PREMONTATA	B-G	6		
13*		"O" RING Ø2.62X20.29	"O" RING Ø2.62X20.29	B-G-I	6		
14*		ECOBASS VALVE PLUG	TAPPO VALVOLA ECOBRASS	G-I	6		
15*		MANIFOLD STUD BOLT M8X65 GEOMET	VITE M8X65 GEOMET	G	8		
16*		WASHER Ø8,5	ROSETTA Ø8.5	G	16		
17*		COPPER WASHER G3/8	GUARNIZIONE RAME	G	1		
18*		ECOBASS PLUG G3/8	TAPPO G3/8 ECOBRASS	G	2		
19*		VALVE SEAT	SEDE VALVOLA	B-G	6		
20*		VALVE PLATE	PIATTELLO VALVOLA	B-G	6		
21*		VALVE SPRING	MOLLA VALVOLA	B-G	6		
22*		VALVE CAGE	GABBIA VALVOLA	B-G	6		
23	9.851-501.0	HEXAGONAL SCREW M8X18	VITE M8X18		8		
24	9.850-626.0	CLOSED BEARING HOUSING	FLANGIA CHIUSA		1		
25*		"O" RING Ø1.78X60.05	"O" RING Ø1.78X60.05	F	2		
26	9.850-349.0	ROLLER BEARING 33205	CUSCINETTO A RULLI 33205		2		
27	9.850-177.0	SINGLE - ENDED SHAFT	ALBERO SEMPLICE P.D.F.		1		
	9.850-179.0	SINGLE - ENDED SHAFT	ALBERO SEMPLICE P.D.F.		1		
28	9.850-446.0	CRANKSHAFT KEY	CHIAVETTA		1		
29	9.851-286.0	OIL DIP STICK	TAPPO LIVELLO OLIO		1		
30*		CRANKSHAFT SEAL	ANELLO RADIALE	F	1		
31	9.850-547.0	SHIM	DISTANZIALE		1		
32	9.850-625.0	BEARING HOUSING	FLANGIA		1		
33*		PLUNGER NUT	DADO PISTONE	D-H	3		
34*		COPPER SPACER Ø 11.2/15X0.5	ROSETTA RAME Ø 11.2/15X0.5	D-H	3		
35*		PLUNGER 20MM	PISTONE Ø20	D	3		
36*		COPPER SPACER Ø 11.3/24X0.5	ROSETTA RAME Ø 11.3/24X0.5	D	3		
37*		"O" RING Ø1.78X7.66	"O" RING Ø1.78X7.66	D-H	3		

Item Pos	Part Number Codice	Description	Descrizione	KIT	Q.TY Q.TÀ	NMT1520EB	NMT2120EB
38*		TEFLON RING	ANELLO ANTIESTRUSIONE	D-H	3		
39*		PLUNGER ROD	ASTA PISTONE	H	3		
40*		CONNECTING ROD	BIELLA	H	3		
41*		CONNECTING ROD PIN	SPINOTTO	H	3		
42*		SPRING WASHER Ø6	ROSETTA ELASTICA Ø6	H	6		
43*		CONNECTING ROD SCREW M6X30	VITE M6X30	H	6		
44*		"O" RING Ø 2.62X126.67	"O" RING Ø 2.62X126.67	F	1	•	•
45	9.850-388.0	CRANKCASE COVER	COPERCHIO POSTERIORE		1		
46*		"O" RING Ø1.78X14	"O" RING Ø1.78X14	F	1		
47*		BRASS PLUG G3/8	TAPPO OTTONE G3/8	F	1		
48*		SIGHT GLASS, G3/4	SPIA LIVELLO OLIO G3/4	F	1		
49	9.851-474.0	SCREW M6X16	VITE M6X16		4		