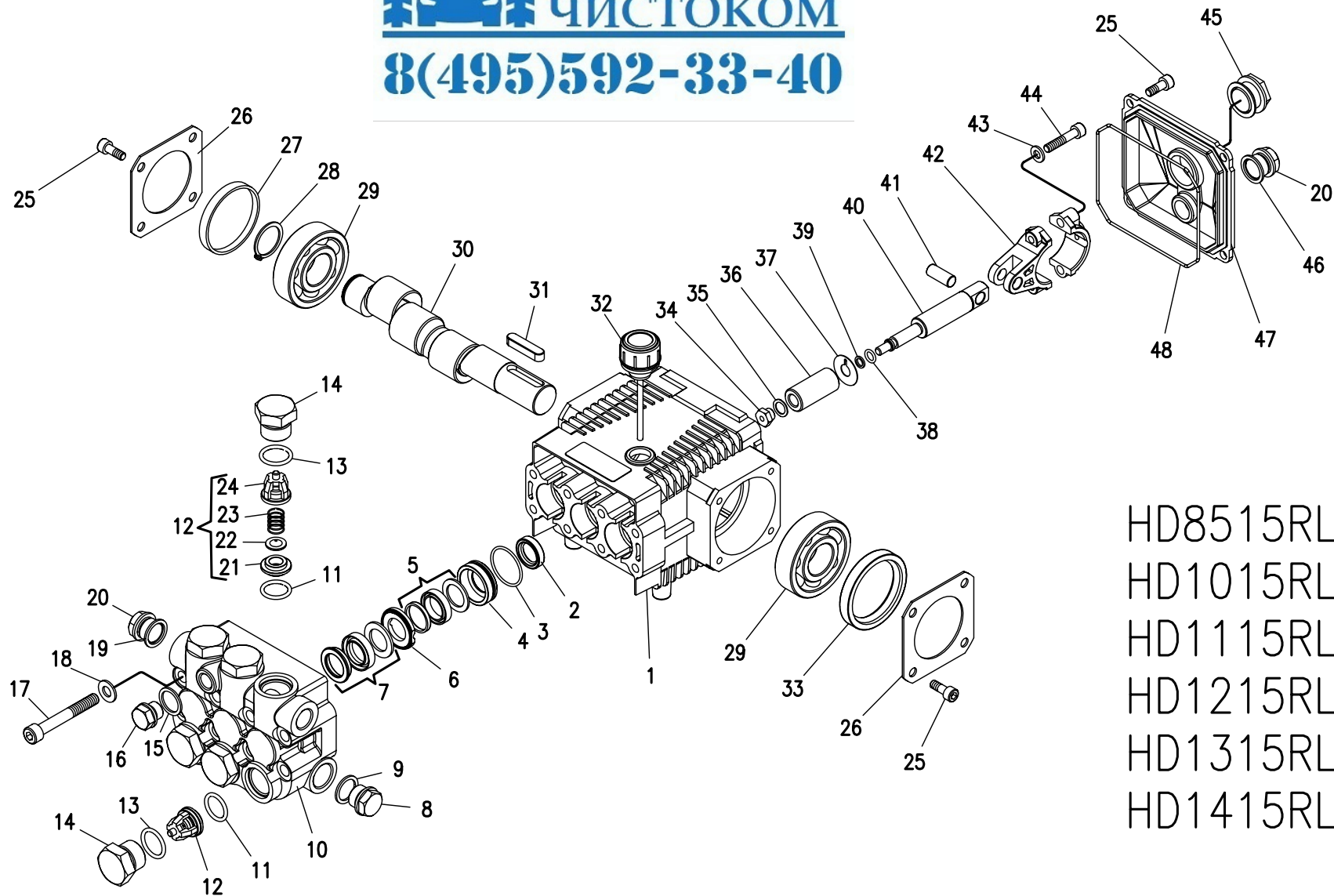




ЧИСТОКОМ

8(495)592-33-40



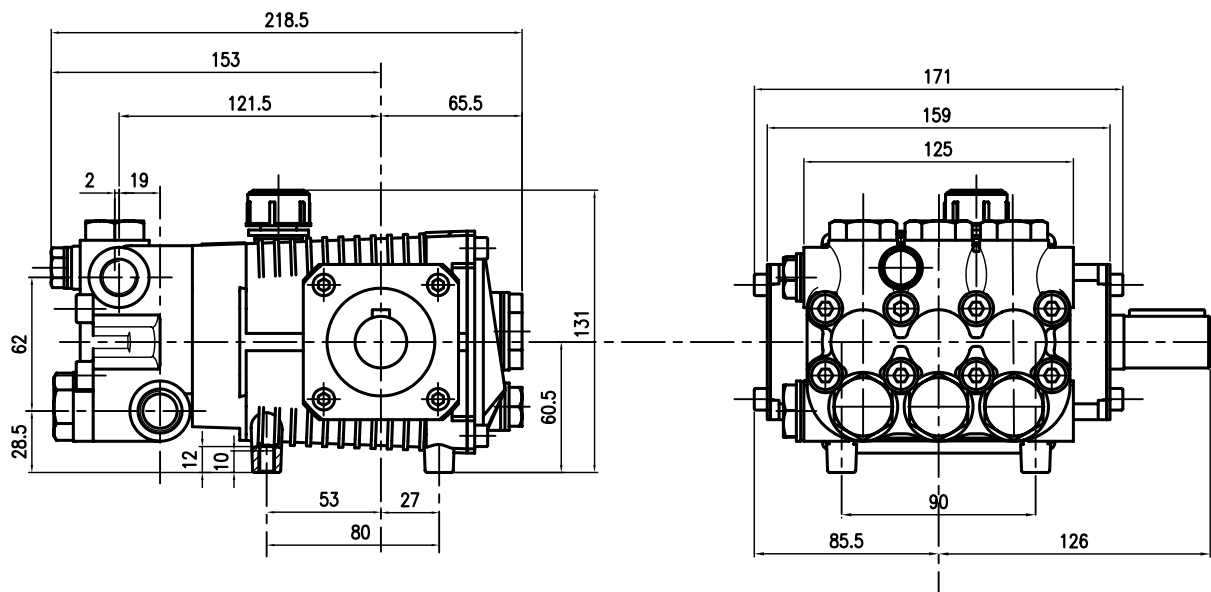
HD8515RL
HD1015RL
HD1115RL
HD1215RL
HD1315RL
HD1415RL

HAWK pumps
HD series

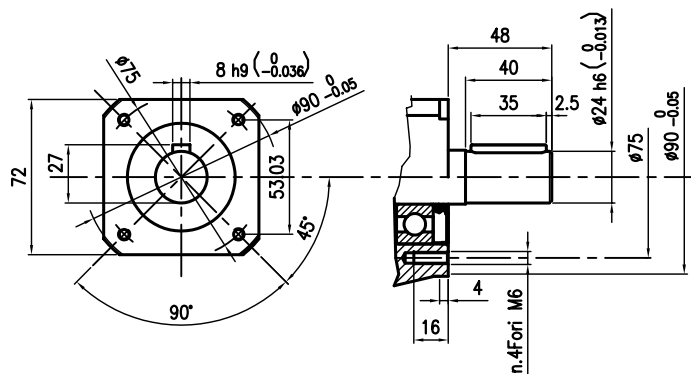
Pump Pompe Pumpen Pompa	Pressure Pression Druck Pressione		Volume Débit Leistung Portata		RPM tours/min u.p.m. giri/min	Required HP Puissance HP Leistung HP Potenza HP	Inlet port Entrée Eingang Aspirazione	Outlet Sortie Ausgang Mandata
	bar	PSI	l/min	GPM				
HD8515	150	2200	8.5	2.2	1450	3.2	G 1/2	G 3/8
HD1015	150	2200	10.0	2.6	1450	3.8	G 1/2	G 3/8
HD1115	150	2200	11.0	2.9	1450	4.4	G 1/2	G 3/8
HD1215	150	2200	12.0	3.1	1450	4.6	G 1/2	G 3/8
HD1315	150	2200	13.0	3.4	1450	4.9	G 1/2	G 3/8
HD1415	150	2200	14.0	3.7	1450	5.4	G 1/2	G 3/8

Dimensioni d'ingombro

Overall dimensions



HD8515-HD1015-HD1115-HD1215-HD1315-HD1415



Pos. Item	Codice Part Number	Description	Descrizione	Q.tà/Pompa Q.ty/Pump	HD815RL	HD1015RL	HD1115RL	HD1215RL	HD1315RL	HD1415RL
1	0202.92	Crankcase	<i>Carter</i>	1						
*2	0001.05	Plunger oil seal	<i>Anello radiale</i>	3						
*3	0601.81	"O" Ring Ø1.78x28,30	<i>"O" Ring Ø1.78x28,30</i>	3						
*4	1201.41	Pressure ring 18mm	<i>Pressore Ø18</i>	3						
*5	0002.51	"U" seal, dia.18mm	<i>Anello tenuta "U" Ø18</i>	3						
*6	0300.63	Intermed. ring 18mm	<i>Diffusore Interm. Ø18</i>	3						
*7	0002.50	"U" seal, dia.18mm	<i>Anello tenuta "U" Ø18</i>	3						
*8	1601.20	Brass plug G1/2	<i>Tappo G1/2</i>	1						
*9	0603.07	Copper washer 1/2	<i>Guarnizione rame G1/2</i>	1						
*10	1602.28	Manifold housing	<i>Testata</i>	1						
*11	0601.55	"O" Ring Ø1.78x15.54	<i>"O" Ring Ø1.78x15.54</i>	6						
*12	3604.73	Valve assembly	<i>Valvola premontata</i>	6						
*13	0601.22	"O" Ring Ø2.62x18.77	<i>"O" Ring Ø2.62x18.77</i>	6						
*14	1601.47	Valve plug	<i>Tappo valvola</i>	6						
*15	0603.08	Copper washer 1/4	<i>Guarnizione rame G1/4</i>	1	■	■	■	■	■	■
*16	1601.21	Brass plug G1/4	<i>Tappo G1/4</i>	1						
17	1801.18	Manifold stud bolt	<i>Vite M8x60</i>	8						
18	1400.01	Washer	<i>Rosetta Ø8.5</i>	8						
*19	0603.06	Copper washer 3/8	<i>Guarnizione rame G3/8</i>	1						
*20	1601.17	Brass plug G3/8	<i>Tappo G3/8</i>	2						
21	1503.28	Valve seat	<i>Sede valvola</i>	6						
22	1202.00	Valve plate	<i>Piattello valvola</i>	6						
23	0900.30	Valve spring	<i>Molla valvola</i>	6						
24	0604.10	Valve cage	<i>Gabbia valvola</i>	6						
25	1801.12	Screw	<i>Vite M6x16</i>	12						
26	0203.18	Bearing cover	<i>Coperchio cuscinetto</i>	2						
27	0205.02	Bearing seal	<i>Cappellotto cuscinetto</i>	1						
28	1500.03	Snap ring	<i>Anello Ø25</i>	1						
29	0213.00	Ball bearing	<i>Cuscinetto a sfere</i>	2						
30	0006.05	Crankshaft	<i>Albero eccentrico</i>	1						■
	0006.06	Crankshaft	<i>Albero eccentrico</i>	1	■					
	0006.08	Crankshaft	<i>Albero eccentrico</i>	1		■				
	0006.10	Crankshaft	<i>Albero eccentrico</i>	1			■			
	0006.11	Crankshaft	<i>Albero eccentrico</i>	1				■		
	0006.12	Crankshaft	<i>Albero eccentrico</i>	1					■	
31	0206.04	Crankshaft key	<i>Chiavetta</i>	1						
32	1600.12	Oil dip stick	<i>Tappo livello olio</i>	1						
33	0001.10	Crankshaft seal	<i>Anello radiale</i>	1						
*34	0302.11	Plunger nut	<i>Dado pistone</i>	3						
*35	1400.06	Copper spacer	<i>Rosetta Ø 9,2/13,5x0,5</i>	3						
*36	1200.23	Plunger 15mm	<i>Pistone Ø15</i>	3						
*37	1400.27	Copper spacer	<i>Rosetta rame</i>	3						
*38	0601.30	"O" Ring Ø1.78x5.28	<i>"O" Ring Ø1.78x5.28</i>	3						
*39	0009.13	Teflon ring	<i>Anello antiestrusione</i>	3	■	■	■	■	■	■
*40	0003.20	Plunger rod	<i>Asta pistone</i>	3						
*41	1502.04	Connecting rod pin	<i>Spinotto</i>	3						
*42	0100.08	Connecting rod	<i>Biella completa</i>	3						
*43	1401.02	Spring washer	<i>Rosetta elastica Ø6</i>	6						
*44	1801.32	Connecting rod screw	<i>Vite M6x30</i>	6						
45	0700.05	Sight glass	<i>Spia livello olio G3/4</i>	1						
46	0603.02	Gasket	<i>Guarnizione G3/8</i>	1						
47	0203.52	Crankcase cover	<i>Coperchio</i>	1						
48	0601.04	"O" Ring Ø2.62x107.62	<i>"O" Ring Ø2.62x107.62</i>	1						

		Part available in kit only
--	--	-------------------------------

*Particolare disponibile
solo in kit*

*		Part available in kit also
---	--	-------------------------------

*Particolare disponibile
anche in kit*

SPARE PARTS KIT

KIT RICAMBI

Posizioni	Item	Part Number & Description	Codice e Descrizione	Q.tà/Pompa Q.ty/Pump	HD8515RL	HD1015RL	HD1115RL	HD1215RL	HD1315RL	HD1415RL
3- 5- 7		2600.44 Plunger Seals 18 mm	2600.44 Guarnizioni pistone Ø18	1						
3- 4- 5- 6- 7		2600.43 Complete seal Packing 18 mm	2600.43 Pacco completo Guarnizioni pistone Ø18	3						
34- 36- 37- 38 39		2614.05 Plunger 18 mm	2614.05 Pistone Ø18	3						
11- 12- 13		2600.28 Complete Valve	2600.28 Valvola completa	1	■	■	■	■	■	■
2		2608.26 Plunger oil Seals	2608.26 Anelli tenuta olio Asta	1						
3- 4- 5- 6- 7- 8- 9 10- 11- 12- 13 14- 15- 16- 19 20		2612.39 Complete Manifold	2612.39 Testata completa	1						
38- 39- 40- 41 42- 43- 44		3100.20 Conn.rod-plun.rod assy (HD)	3100.20 Premontato biella-asta HD	3						