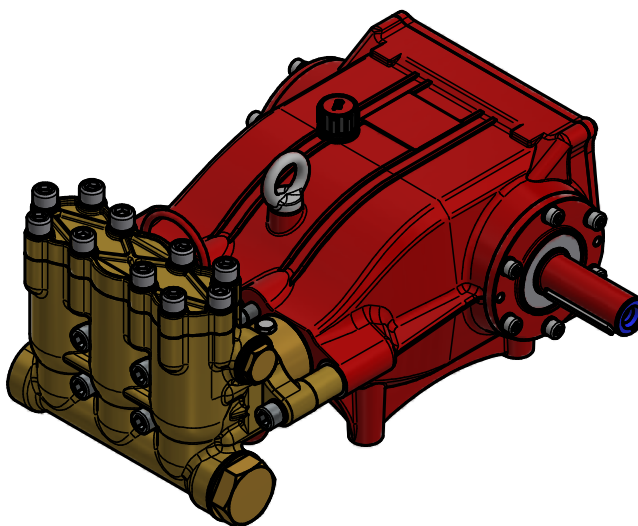
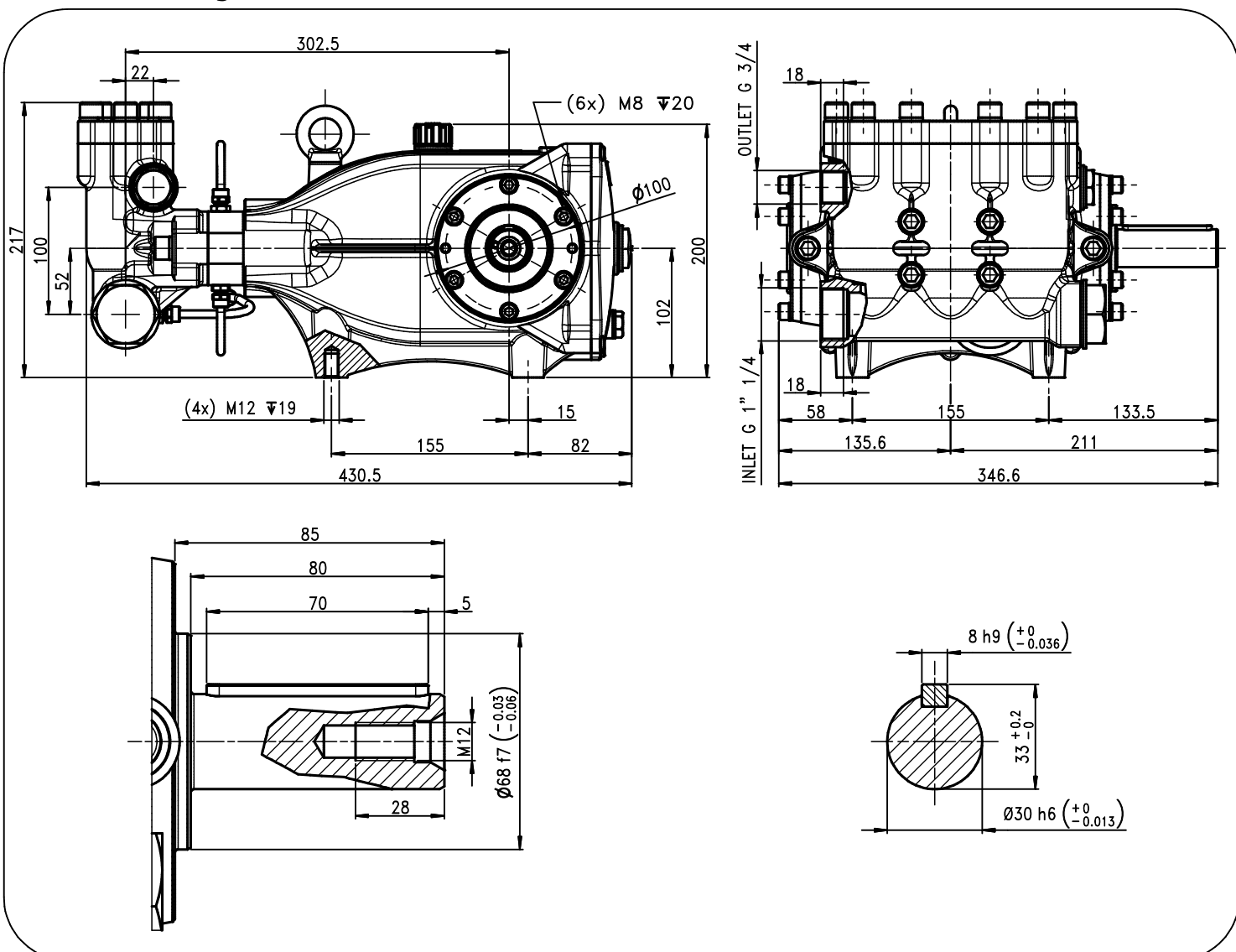


Pump Pompa	Pressure Pressione		Volume Portata				RPM giri/min		Power Potenza			
			l/min		GPM				HP		kW	
	bar	PSI	50 Hz	60 Hz	50 Hz	60 Hz	50 Hz	60 Hz	50 Hz	60 Hz	50 Hz	60 Hz
MXT1015EBCH	150	2175	100	120	25,9	31,1	1450	1740	37,7	45,2	27,7	33,2
MXT8515EBCH	150	2175	85	102	22,2	26,6	1450	1740	32,3	38,8	23,8	28,6
MXT7015EBCH	150	2175	70	84	18,5	22,2	1450	1740	26,9	32,3	19,8	23,8



Dimensioni d'ingombro

Overall dimensions

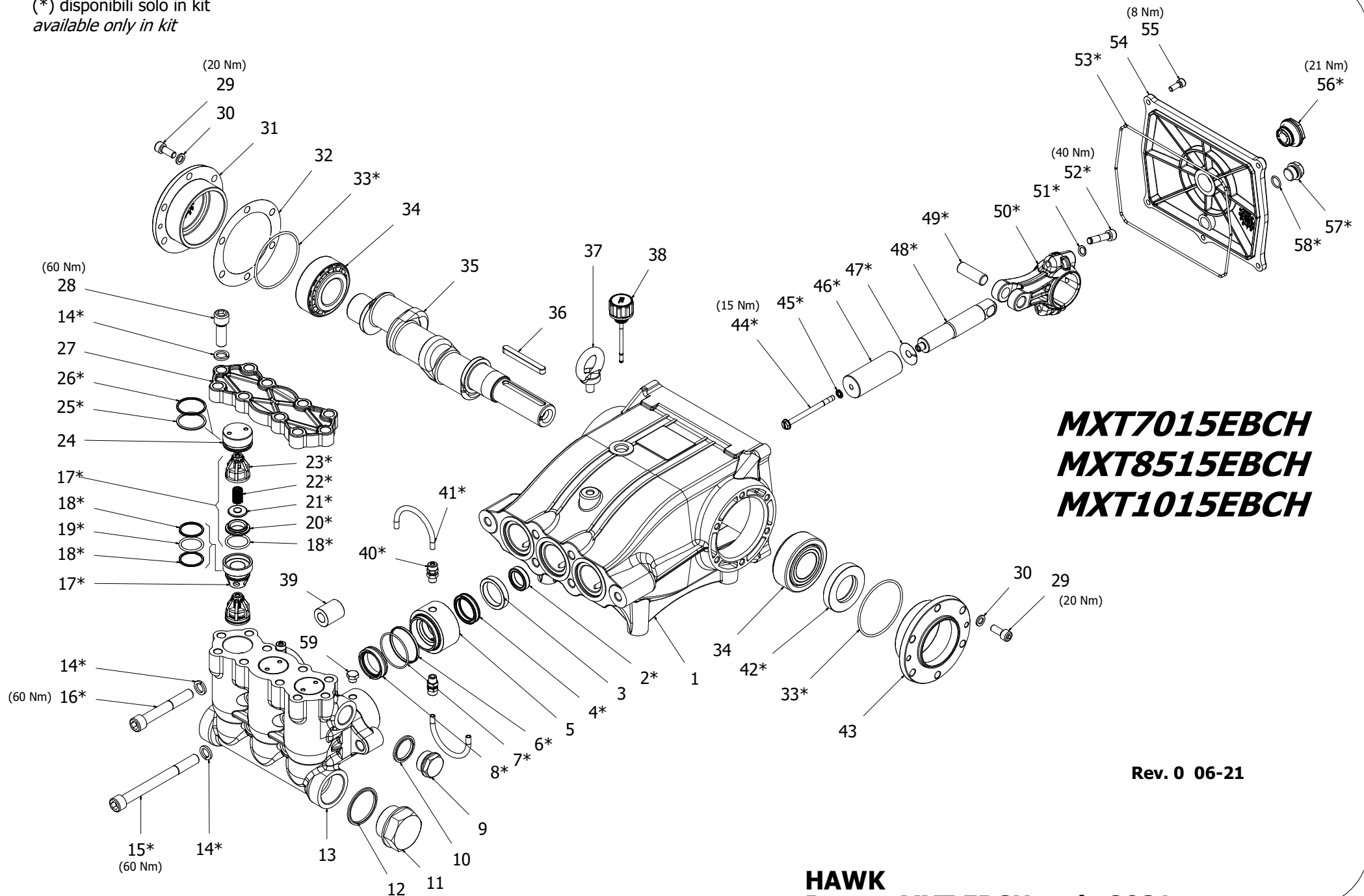


Lubrificazione: Olio SAE 10W-40  
 Capacità: 2,1 Litri  
 Peso pompa: 29,5 Kg

Rev. 0 06-21

Lubrication: SAE 10W-40 Oil  
 Capacity: 2,1 Litres  
 Weight: 29,5 Kg

(\* ) disponibili solo in kit  
available only in kit



**MXT7015EBCH**  
**MXT8515EBCH**  
**MXT1015EBCH**

Rev. 0 06-21

**HAWK**  
**Pompe MXT EBCH serie 2021**  
**MXT EBCH Pumps 2021 series**

## MXT EBCH SERIES 2021

### ORDINARY MAINTENANCE KIT / KIT MANUTENZIONE ORDINARIA

KIT	Item Pos	Part Number Codice	Description	Descrizione	Q.TY per pump - Q.TA per pompa	MXT1015EBCH	MXT8515EBCH	MXT7015EBCH
A	4- 6- 7- 8	1.904-952.0	PISTON SEAL PACKING	GUARNIZIONI PISTONE	1	•	•	•
B	18- 19- 20- 21 22- 23- 25- 26	1.904-953.0	VALVE	VALVOLE	1			

### EXTRAORDINARY MAINTENANCE KIT / KIT MANUTENZIONE STRAORDINARIA

KIT	Item Pos	Part Number Codice	Description	Descrizione	Q.TY per pump - Q.TA per pompa	MXT1015EBCH	MXT8515EBCH	MXT7015EBCH
C	17- 18- 19- 20- 21 22- 23- 25- 26	1.904-954.0	COMPLETE VALVE	VALVOLE COMPLETE	1			
D	2	1.905-545.0	PLUNGER OIL SEALS	TENUTE OLIO ASTA PISTONE	1			
E	44- 45- 46- 47	1.904-955.0	PLUNGER	PISTONE	3			
F	33- 42- 53- 56- 57 58	1.099-805.0	KIT CRANCKASE SEALS	KIT TENUTE CARTER	1	•	•	•
G	14- 15- 16	1.904-956.0	MANIFOLD SCREWS	VITI TESTATA	1			
H	48- 50- 51- 52- 53	1.904-428.0	PLUNGER ROD- CONNECTING ROD	ASTA PISTONE-BIELLA	3			
I	40- 41	1.904-456.0	COMPLETE CIRCULATION PIPES	TUBI RICIRCOLO	1			

**“Q.TY by Pump” => Necessary quantity to repair one pump**  
**“Q.TA’ per Pompa” => Quantità necessaria per riparare una pompa**

Part number Codice	Description	Descrizione
1.099-669.0	TOOL KIT	TOOL KIT
1.904-418.0	TOOL KIT EXTRAORDINARY	TOOL KIT STRAORDINARIA

### IMPORTANT IMPORTANTE

\* Part available ONLY in kit  
 Disponibile SOLO in kit

(...) Parts pre-assembled  
 Parti pre-assemblate

## PARTS LIST LISTA PARTI

Item Pos	Part Number Codice	Description	Descrizione	KIT	Q.TY Q.TA	MXT1015EBCH	MXT8515EBCH	MXT7015EBCH
1	9.853-937.0	MXT EBCH RED CRANKCASE	CARTER ROSSO MXT EBCH		1			
2*		PLUNGER OIL SEAL FKM	ANELLO RADIALE FKM	D	3			
3	9.853-150.0	SUPPORT RING	PRESSORE		3			
4*		"U" SEAL DIA. 30 mm	GUARNIZIONE "U" Ø30	A	3			
5	9.853-149.0	INTERMED. RING	DIFFUSORE		3			
6*		BACK RING	ANELLO ANTIESTRUSIONE	A	3			
7*		O-RING DIA. 1.78x44.17 FKM	O-RING Ø1,78x44,17 FKM	A	3			
8*		"U" SEAL DIA. 30 mm	GUARNIZIONE "U" Ø30	A	3			
9	9.853-144.0	ECOBASS PLUG G3/4"	TAPPO G3/4 ECOBRASS		1			
10	9.851-195.0	BONDED SEAL G3/4" AISI 316	BONDED SEAL G3/4" AISI 316		1			
11	9.853-143.0	ECOBASS PLUG G1" 1/4	TAPPO G1" 1/4 ECOBRASS		1			
12	9.853-935.0	BONDED SEAL G 1" 1/4 AISI 316	BONDED SEAL G 1" 1/4 AISI 316		1			
13	9.853-146.0	ECOBASS MANIFOLD HOUSING	TESTATA OTTONE Ø30 ECOBRASS		1			
14*		SPRING WASHER M12 AISI 316	ROSETTA ELASTICA M12 AISI 316	G	16			
15*		MANIFOLD HOUSING SCREW STAINLESS STEEL	VITE TCEI M12x130 ISO 4762 A2-70	G	4			
16*		MANIFOLD HOUSING SCREW STAINLESS STEEL	VITE TCEI M12x85 ISO 4762 A2-70	G	2			
17*		VALVE CAGE ECOBRASS	GABBIA VAM IMPILATA ECOBRASS	C	3			
18*		BACK RING	ANELLO ANTIESTRUSIONE	B - C	6	•	•	•
19*		O-RING DIA. 2.62x25.07 FKM	O-RING Ø2,62x25,07 FKM	B - C	9			
20*		VALVE SEAT AISI 316	SEDE VAM AISI 316	B - C	6			
21*		VALVE PLATE AISI 316	PIATTELLO VAM AISI 316	B - C	6			
22*		VALVE SPRING AISI 316	MOLLA VAM AISI 316	B - C	6			
23*		VALVE CAGE	GABBIA VAM	B - C	6			
24	9.851-354.0	VALVE SPACER CAP ECOBRASS	DISTANZIALE TAPPO VAM ECOBRASS		3			
25*		O-RING DIA. 2.62x31.42 FKM	O-RING Ø2,62x31,42 FKM	B - C	3			
26*		BACK RING	ANELLO ANTIESTRUSIONE	B - C	3			
27	9.853-145.0	MANIFOLD HOUSING COVER ECOBRASS	COPERCHIO TESTATA ECOBRASS		1			
28	9.853-931.0	COVER SCREW STAINLESS STEEL	VITE TCEI M12x35 ISO 4732 A2-70		10			
29	9.851-476.0	BEARING HOUSING SCREW STAINLESS STEEL	VITE TCEI M8x30 ISO 4732 A2-70		12			
30	9.851-133.0	WASHER STAINLESS STEEL	ROSETTA M8 INOX		12			
31	9.853-746.0	RED BEARING HOUSING	FLANGIA CHIUSA ROSSA		1			
32	9.850-556.0	SHIM 0,1mm	DISTANZIALE FLANGIA 0,1mm		1			
	9.850-557.0	SHIM 0,05mm	DISTANZIALE FLANGIA 0,05mm		1			
33*		O-RING DIA. 2.62x71.12 NBR	O-RING Ø2,62x71,12 NBR	F	2			
34	9.851-963.0	ROLLER BEARING	CUSCINETTO		2			

Item Pos	Part Number Codice	Description	Descrizione	KIT	Q.TY Q.TÀ	MXT1015EBCH	MXT8515EBCH	MXT7015EBCH
35	9.850-229.0	CRANKSHAFT SPTO Ø30	ALBERO SPTO Ø30		1	•		
	9.850-231.0	CRANKSHAFT SPTO Ø30	ALBERO SPTO Ø30		1		•	
	9.850-232.0	CRANKSHAFT SPTO Ø30	ALBERO SPTO Ø30		1			•
36	9.850-450.0	CRANKSHAFT KEY	LINGUETTA		1			
37	9.851-457.0	EYEBOLT	GOLFARE		1			
38	9.851-287.0	OIL DIP STICK	TAPPO SFIATO OLIO		1			
39	9.853-516.0	MANIFOLD HOUSING SPACER	DISTANZIALE VITE TESTATA		2			
40*		FITTING	RACCORDO	I	6			
41*		RED PIPE	TUBO ROSSO	I	4			
42*		PLUNGER OIL SEAL	ANELLO RADIALE	F	1			
43	9.853-745.0	RED OPEN BEARING HOUSING	FLANGIA APERTA ROSSA		1			
44*		STAINLESS STEEL PLUNGER SCREW	VITE PISTONE M6x80 A2-70	E	3			
45*		STAINLESS STEEL BONDED SEAL M6	BONDED SEAL M6 INOX	E	3			
46*		PLUNGER	PISTONE	E	3			
47*		STAINLESS STEEL PLUNGER SPACER	ROSETTA PISTONE INOX	E	3			
48*		PLUNGER ROD	ASTA GUIDA PISTONE	H	3	•	•	•
49*		CONNECTING ROD PIN	SPINOTTO	H	3			
50*		CONNECTING ROD	BIELLA	H	3			
51*		SCHNORR WASHER	ROSETTA SCHNORR	H	6			
52*		CONNECTING ROD BOLT	VITE BIELLA M6x35 ISO 4762	H	6			
53*		O-RING	O-RING	F	1			
54	9.850-393.0	RE CRANKCASE COVER	COPERCHIO POSTERIORE ROSSO		1			
55	9.851-475.0	STAINLESS STEEL COVER SCREW	VIT TCEI M16x16 ISO 4762 A2-70		5			
56*		SIGHT GLASS G 3/4"	SPIA LIVELLO OLIO G3/4	F	1			
57*		BRASS PLUG G3/8"	TAPPO G3/8"	F	1			
58*		O-RING	O-RING	F	1			
59	9.851-353.0	PLUG	TAPPO		1			